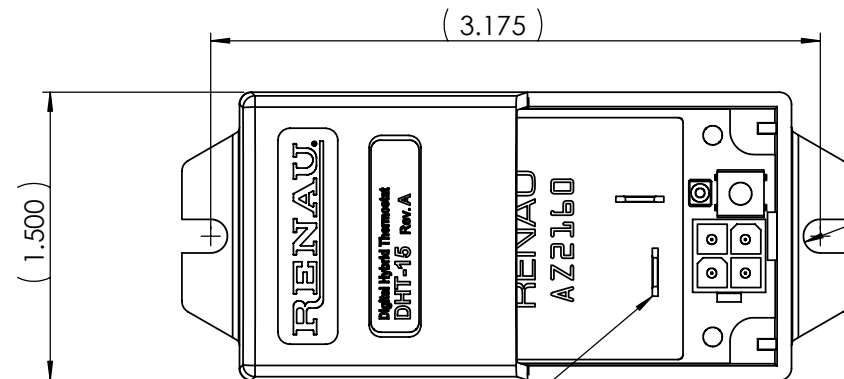
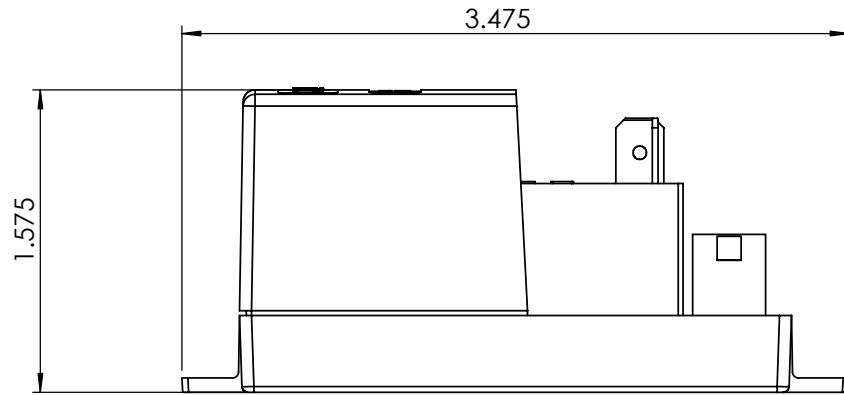


		REVISIONS			
ZONE	REV.	DESCRIPTION		DATE	APPROVED

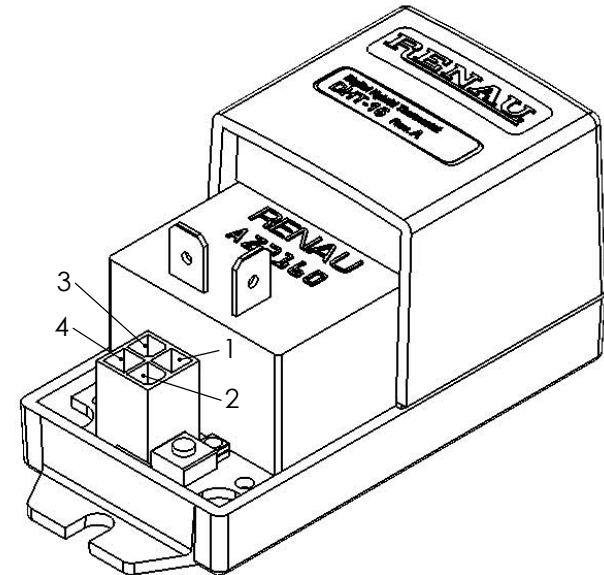


2 X .250 QUICK DISCONNECT TERMINALS

PIN#	DESCRIPTION
COM	240V MAX HOT, 20A
NO	HEATER, 20A

4PIN MOLEX

PIN#	DESCRIPTION	VOLTAGE	
		[V] MIN	[V] MAX
1	TEMPERATURE SENSOR	0	5.25
2	TEMPERATURE SENSOR	0	5.25
3	120 Vac	95	135
4	120 Vac	95	135



PROPRIETARY AND CONFIDENTIAL
 THE INFORMATION CONTAINED IN THIS DRAWING IS THE SOLE PROPERTY OF RENAU CORPORATION. ANY REPRODUCTION IN PART OR AS A WHOLE WITHOUT THE WRITTEN PERMISSION OF RENAU CORPORATION IS PROHIBITED.

		DIMENSIONS ARE IN INCHES TOLERANCES: FRACTIONAL ± ANGULAR: MACH ± BEND ± TWO PLACE DECIMAL ± THREE PLACE DECIMAL ±	NAME	DATE
		MATERIAL	B.B.	06/19/03
		FINISH	CHECKED	
			ENG APPR.	
			MFG APPR.	
			Q.A.	
			COMMENTS:	
NEXT ASSY	USED ON			
APPLICATION		DO NOT SCALE DRAWING		

RENAU ELECTRONIC LABORATORIES

HDT-20

Programable Hybrid Digital Thermostat

SIZE	DWG. NO.	REV.
A	50A5510	A
SCALE:1:1	WEIGHT:	SHEET 1 OF 1