

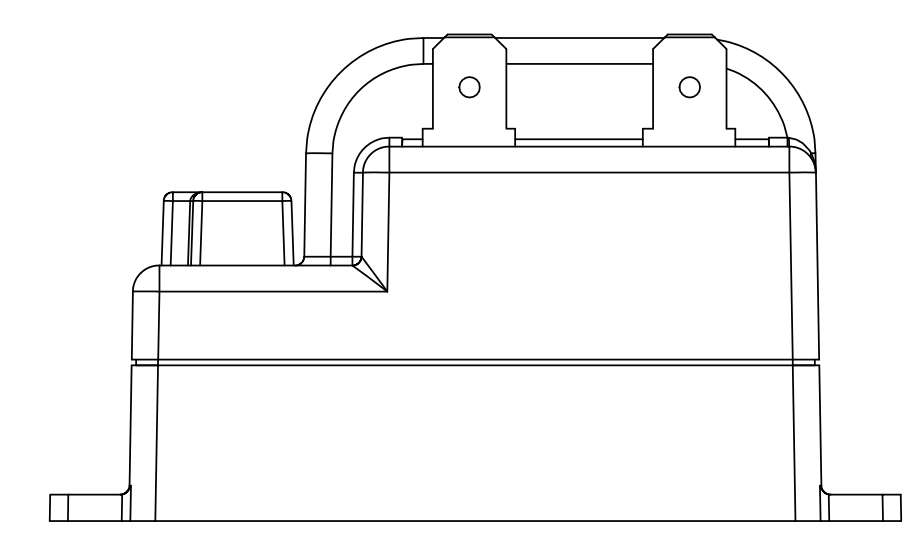
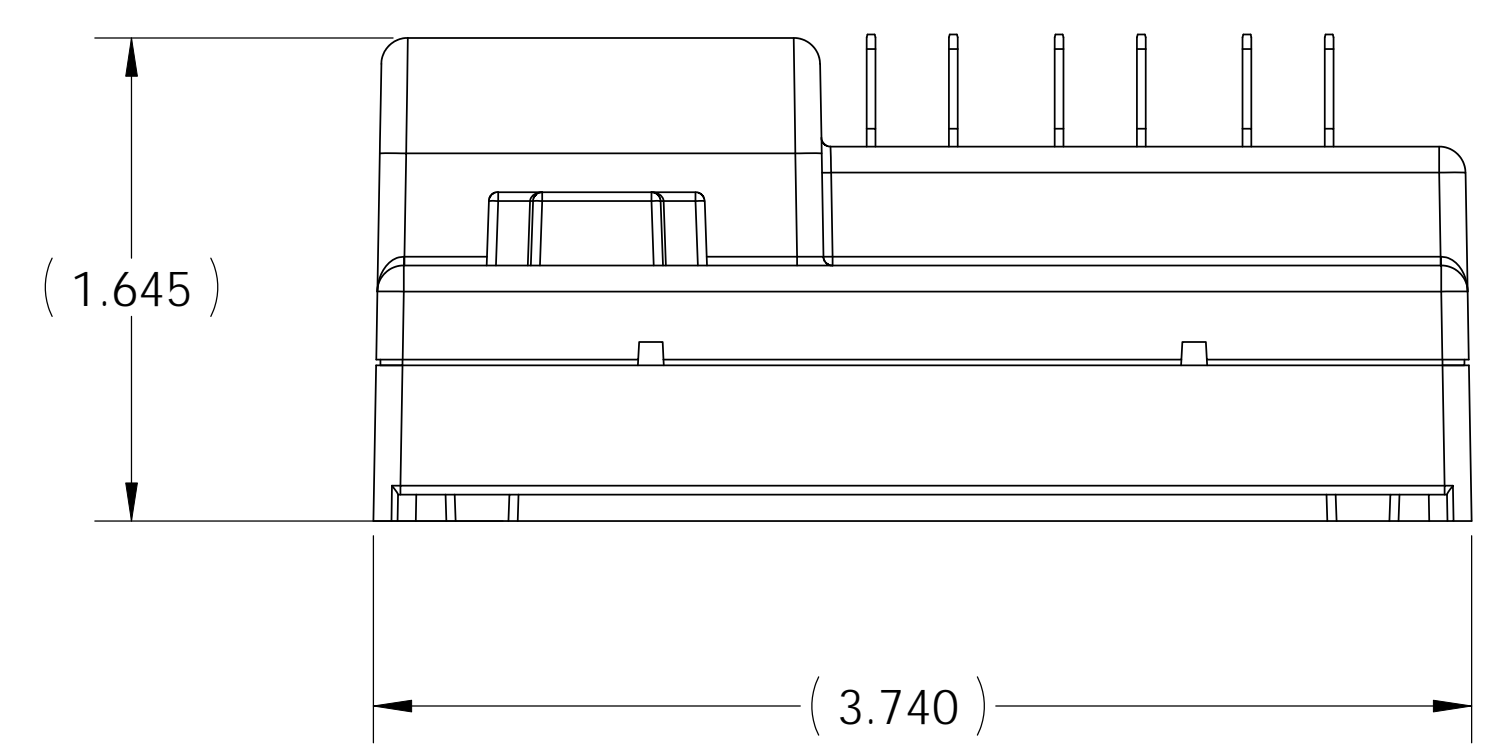
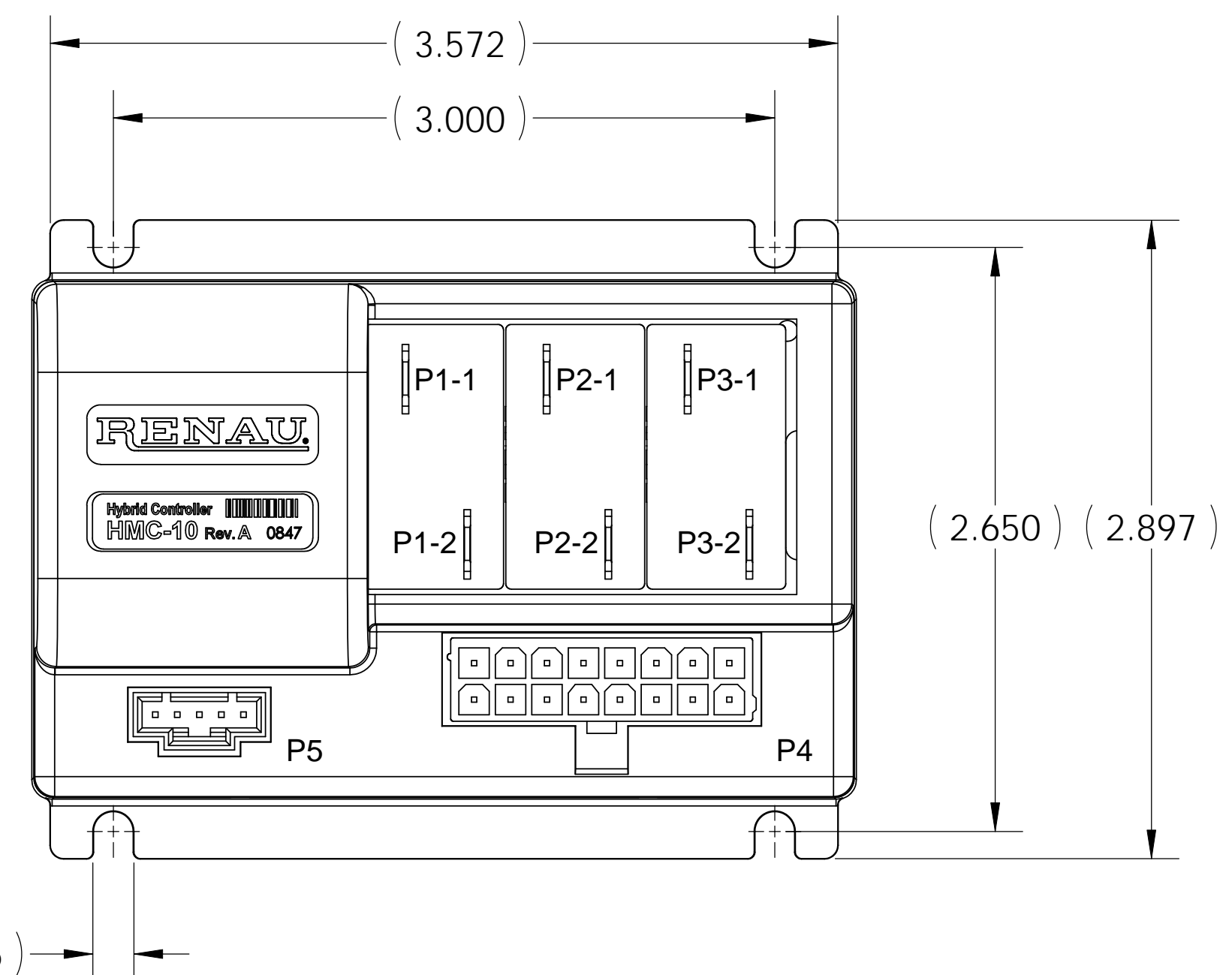
P5 5 PIN CONNECTOR

1	GROUND
2	+5VDC
3	RESET
4	RX
5	TX

P4 16 Pin Molex Connector

1	SENSOR COMMON
2	SENSOR COMMON
3	SENSOR COMMON
4	SCK
5	SDI
6	SDO
7	GROUND
8	120 VAC HOT
9	SENSOR 1
10	SENSOR 2
11	SENSOR 3
12	AUX
13	1-WIRE
14	+5VDC
15	GROUND
16	120 VAC LINE

REVISIONS				
ZONE	REV.	DESCRIPTION	DATE	APPROVED



FUTURES:

1. SINGLE WIRE RENAU NETWORK ENABLE.
2. 3 x 20 Amp 250 Volt HYBRID
3. SPI OUTPUT
4. LOGIC AUXILIARY INPUT/OUTPUT
5. OPERATING TEMPERATURE 0-80°C(32-176°F).
6. POWER 120VAC 5AV MAX.
7. 3 TEMPERATURE SENSORS
8. FULLY ENCAPSULATED

PROPRIETARY AND CONFIDENTIAL
 THE INFORMATION CONTAINED IN THIS DRAWING IS THE SOLE PROPERTY OF RENAU ELECTRONIC LABORATORIES. ANY REPRODUCTION IN PART OR AS A WHOLE WITHOUT THE WRITTEN PERMISSION OF RENAU ELECTRONIC LABORATORIES IS PROHIBITED.

UNLESS OTHERWISE SPECIFIED:		NAME	DATE	RENAU
DIMENSIONS ARE IN INCHES		zR	9/30/08	
TOLERANCES:		DRAWN		TITLE: HMC-10 3 x 20Amp Hybrid Controller
FRACTIONAL ±		CHECKED		
ANGULAR: MACH ± .5 BEND ±		ENG APPR.		
TWO PLACE DECIMAL ± .015		MFG APPR.		
THREE PLACE DECIMAL ± .005		Q.A.		
INTERPRET GEOMETRIC TOLERANCING PER:		COMMENTS:		SIZE DWG. NO. REV C 46E4000 1
MATERIAL				
NEXT ASSY	USED ON	FINISH		SCALE: 2:1 WEIGHT: SHEET 1 OF 1
APPLICATION		DO NOT SCALE DRAWING		