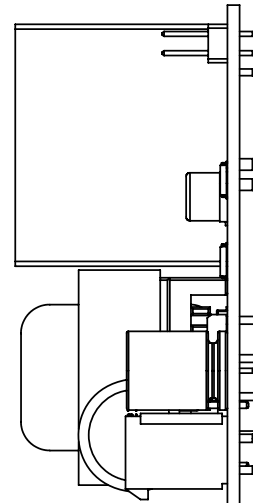
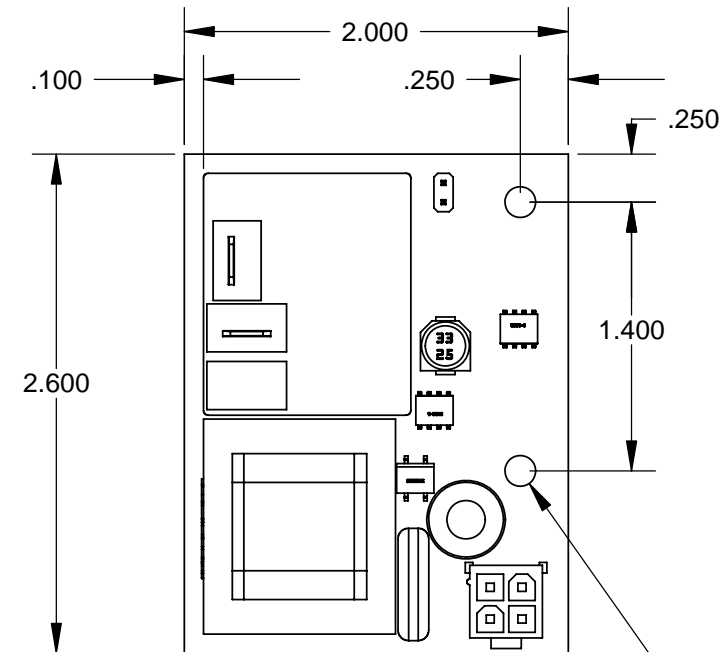
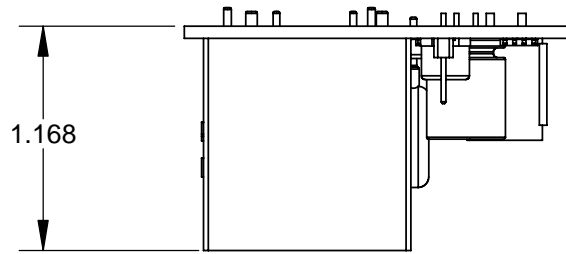
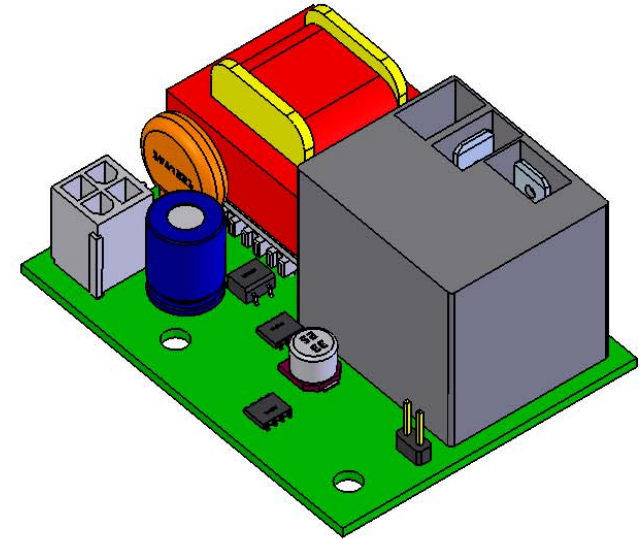


		REVISIONS			
ZONE	REV.	DESCRIPTION	DATE	APPROVED	



x 2  
 $\phi$ .160



**PROPRIETARY AND CONFIDENTIAL**  
 THE INFORMATION CONTAINED IN THIS DRAWING IS THE SOLE PROPERTY OF RENA U CORPORATION . ANY REPRODUCTION IN PART OR AS A WHOLE WITHOUT THE WRITTEN PERMISSION OF RENA U CORPORATION IS PROHIBITED.

		DIMENSIONS ARE IN INCHES TOLERANCES: FRACTIONAL ± ANGULAR: MACH ± BEND ± TWO PLACE DECIMAL ± THREE PLACE DECIMAL ±	NAME	DATE
		MATERIAL --		05/06/20
NEXT ASSY	USED ON	FINISH --	COMMENTS:	
APPLICATION		DO NOT SCALE DRAWING		

**RENAU** ELECTRONIC LABORATORIES

**Low Cost  
 Temperature Controller  
 PDT-10**

SIZE <b>A</b>	DWG. NO. <b>50A5507</b>	REV. <b>B</b>
SCALE:1:1	WEIGHT:	SHEET 1 OF 1