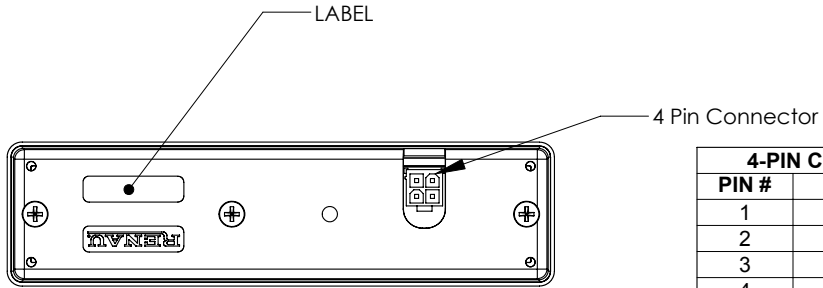
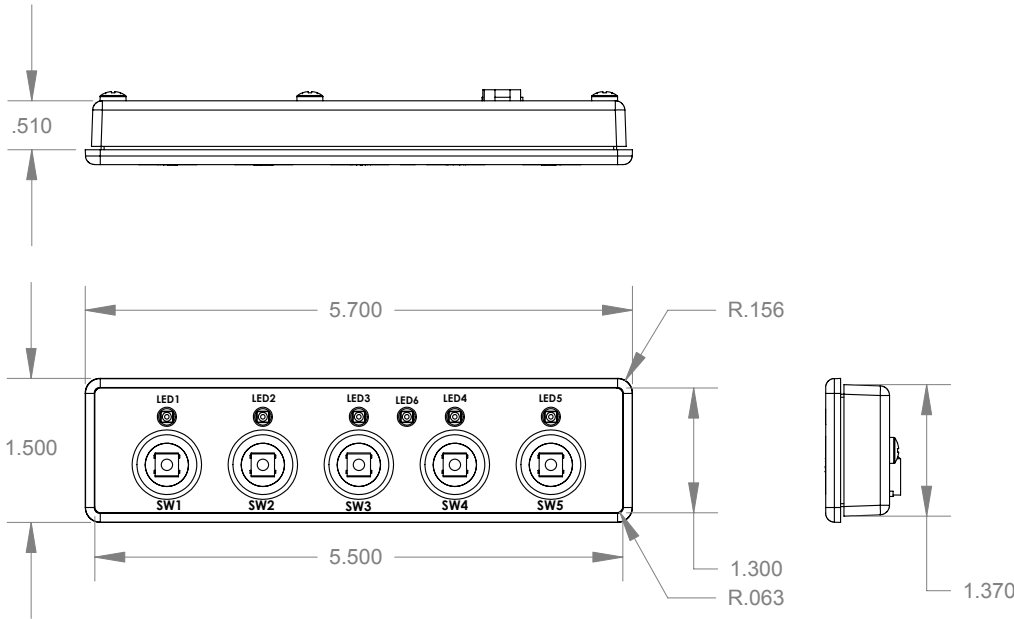


		REVISIONS			
ZONE	REV.	DESCRIPTION		DATE	APPROVED



4-PIN CONNECTOR	
PIN #	Description
1	Vdd
2	GND
3	Comm.-Fisrt
4	Comm.- Next



PROPRIETARY AND CONFIDENTIAL
 THE INFORMATION CONTAINED IN THIS DRAWING IS THE SOLE PROPERTY OF RENAU CORPORATION . ANY REPRODUCTION IN PART OR AS A WHOLE WITHOUT THE WRITTEN PERMISSION OF RENAU CORPORATION IS PROHIBITED.

		DIMENSIONS ARE IN INCHES TOLERANCES: FRACTIONAL ± ANGULAR: MACH ± BEND ± TWO PLACE DECIMAL ± THREE PLACE DECIMAL ±		NAME	DATE
		MATERIAL --		DRAWN	10/03/05
		FINISH --		CHECKED	
NEXT ASSY	USED ON			ENG APPR.	
APPLICATION		DO NOT SCALE DRAWING		MFG APPR.	
				Q.A.	
				COMMENTS:	

RENAU. ELECTRONIC LABORATORIES

**Smart Panel Switch
SPS-1**

SIZE A	DWG. NO. 50A5101	REV. A
SCALE:1:2	WEIGHT:	SHEET 1 OF 1