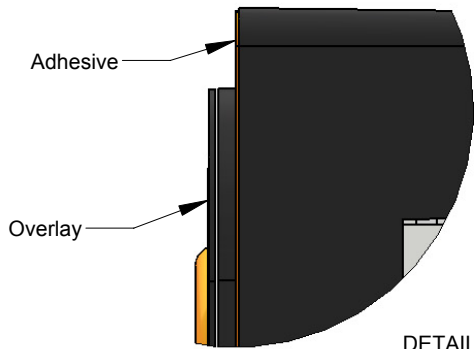
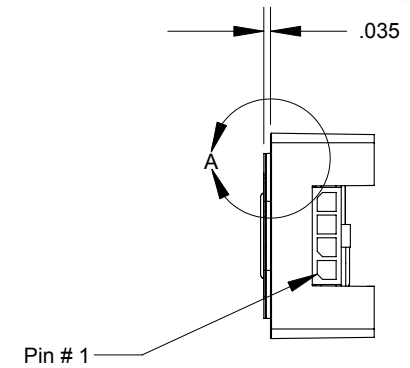
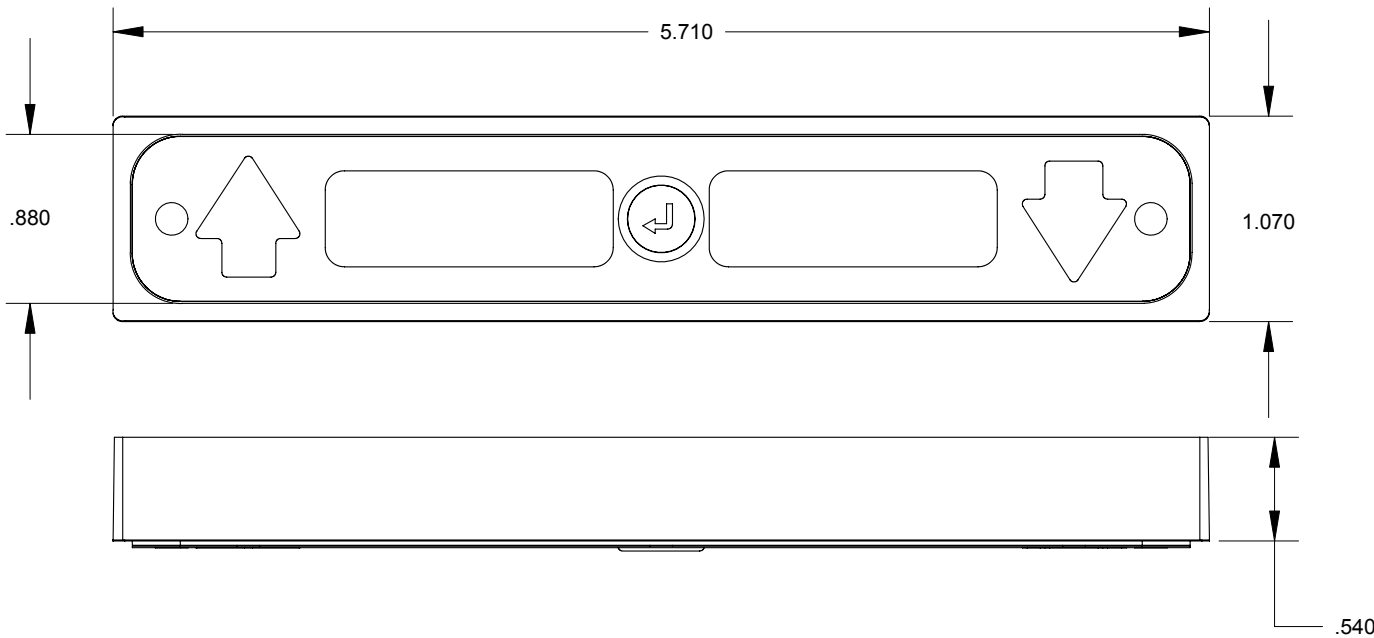
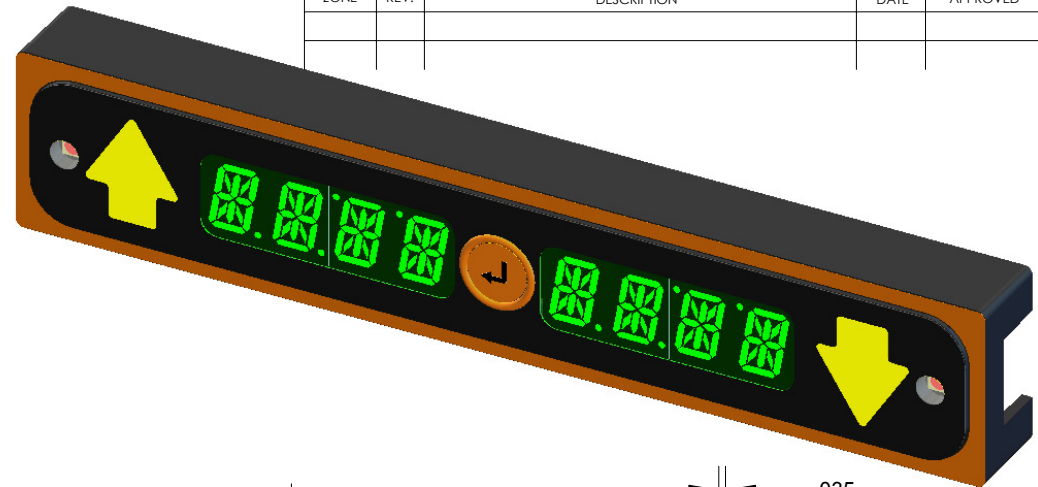


REVISIONS		DATE	APPROVED
ZONE	REV.	DESCRIPTION	



DETAIL A
SCALE 4 : 1



PROPRIETARY AND CONFIDENTIAL
 THE INFORMATION CONTAINED IN THIS DRAWING IS THE SOLE PROPERTY OF RENAU CORPORATION . ANY REPRODUCTION IN PART OR AS A WHOLE WITHOUT THE WRITTEN PERMISSION OF RENAU CORPORATION IS PROHIBITED.

DIMENSIONS ARE IN INCHES TOLERANCES: FRACTIONAL ± ANGULAR: MACH ± BEND ± TWO PLACE DECIMAL ±.015 THREE PLACE DECIMAL ±.005		NAME	DATE
DRAWN	ZR	8/16/06	
CHECKED			
ENG APPR.			
MFG APPR.			
Q.A.			
COMMENTS:			
NEXT ASSY	USED ON	FINISH --	
APPLICATION		DO NOT SCALE DRAWING	

RENAU ELECTRONIC LABORATORIES

SPS-204
Smart Panel Display
8x14 Segment LED

SIZE	DWG. NO.	REV.
A	70A4004	B
SCALE:1:4	WEIGHT:	SHEET 1 OF 1