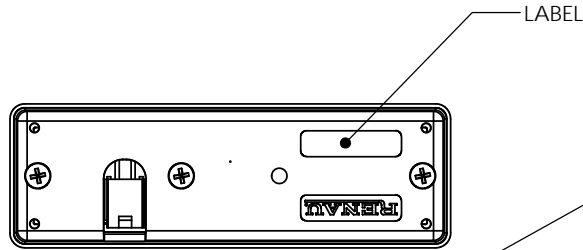
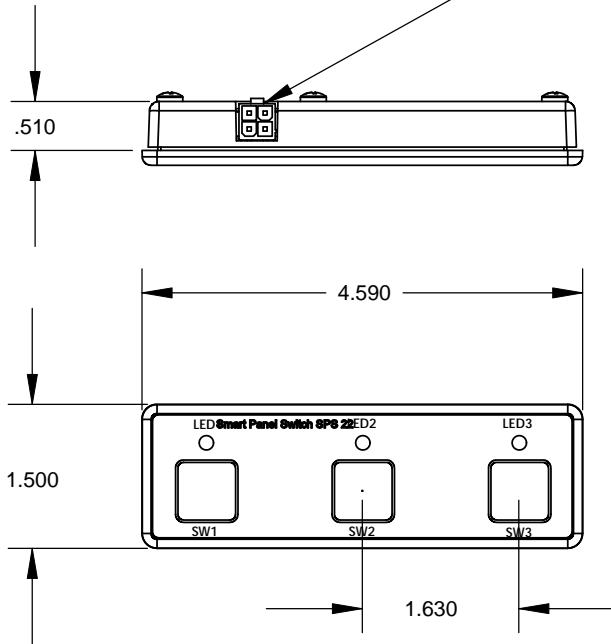
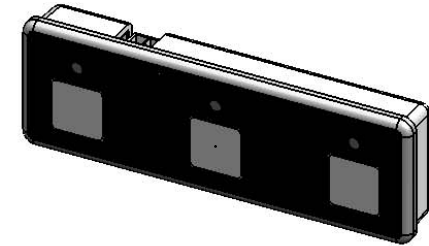


REVISIONS		DATE	APPROVED
ZONE	REV.	DESCRIPTION	



4-PIN Connector

4-PIN Connector	
PIN#	Description
1	Vdd
2	GND
3	Comm.- First
4	Comm.- Next



FEATURES:

1. SINGLE WIRE RENAU NETWORK ENABLE.
2. 3 LED INDICATORS
- 3.
4. 3 TACTILE PUSH BUTTONS
5. OPERATING TEMPERATURE 0-80°C(32-176°F).
6. 5VDC INPUT VOLTAGE
- 7.
8. FULLY ENCAPSULATED

PROPRIETARY AND CONFIDENTIAL
 THE INFORMATION CONTAINED IN THIS DRAWING IS THE SOLE PROPERTY OF RENAU CORPORATION . ANY REPRODUCTION IN PART OR AS A WHOLE WITHOUT THE WRITTEN PERMISSION OF RENAU CORPORATION IS PROHIBITED.

DIMENSIONS ARE IN INCHES TOLERANCES: FRACTIONAL ± ANGULAR: MACH ± BEND ± TWO PLACE DECIMAL ± THREE PLACE DECIMAL ±		NAME	DATE
		DRAWN	05/10/09
		CHECKED	
		ENG APPR.	
		MFG APPR.	
		Q.A.	
		COMMENTS:	
NEXT ASSY	USED ON	FINISH	
APPLICATION	DO NOT SCALE DRAWING		

RENAU ELECTRONIC LABORATORIES

**Smart Panel Switch
SPS-22**

SIZE A	DWG. NO. 50A5122	REV. A
SCALE:1:2	WEIGHT:	SHEET 1 OF 1