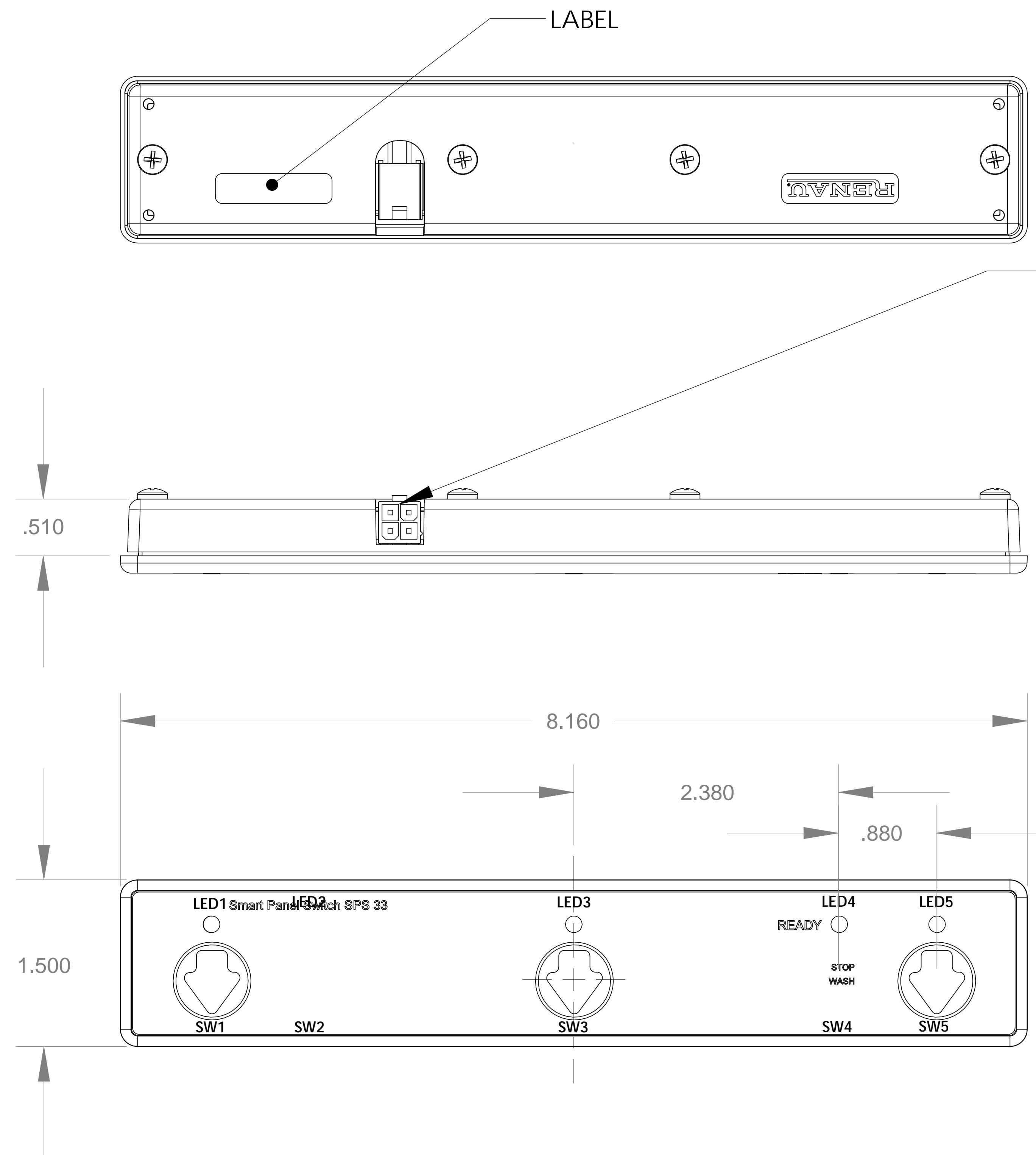
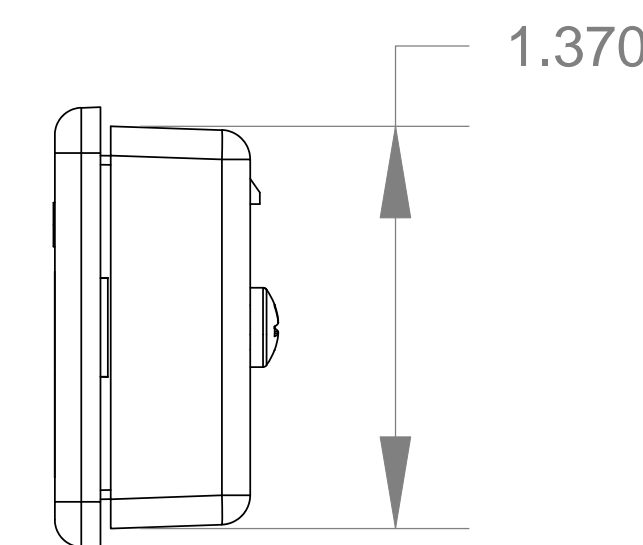


REVISIONS		DATE	APPROVED
ZONE	REV.	DESCRIPTION	



4-PIN Connector

4-PIN Connector	
PIN #	Description
1	Vdd
2	GND
3	Comm. - First
4	Comm. - Next



FEATURES:

1. SINGLE WIRE RENAU NETWORK ENABLE.
2. 4 LED INDICATORS
- 3.
4. 5 TACTILE PUSH BUTTONS
5. OPERATING TEMPERATURE 0-80°C(32-176°F).
6. 5VDC INPUT VOLTAGE
- 7.
8. FULLY ENCAPSULATED

PROPRIETARY AND CONFIDENTIAL
 THE INFORMATION CONTAINED IN THIS DRAWING IS THE SOLE PROPERTY OF RENAU CORPORATION . ANY REPRODUCTION IN PART OR AS A WHOLE WITHOUT THE WRITTEN PERMISSION OF RENAU CORPORATION IS PROHIBITED.

DIMENSIONS ARE IN INCHES		NAME	DATE
TOLERANCES:		DRAWN	zR 10/04/05
FRACTIONAL ±		CHECKED	MS 10/04/05
ANGULAR: MACH ± BEND ±		ENG APPR.	
TWO PLACE DECIMAL ±		MFG APPR.	
THREE PLACE DECIMAL ±		Q.A.	
NEXT ASSY	USED ON	COMMENTS:	
APPLICATION	DO NOT SCALE DRAWING		

RENAU ELECTRONIC LABORATORIES

**Smart Panel Switch
SPS-33**

SIZE	DWG. NO.	REV.
A	50A5133	B
SCALE:1:4	WEIGHT:	SHEET 1 OF 1