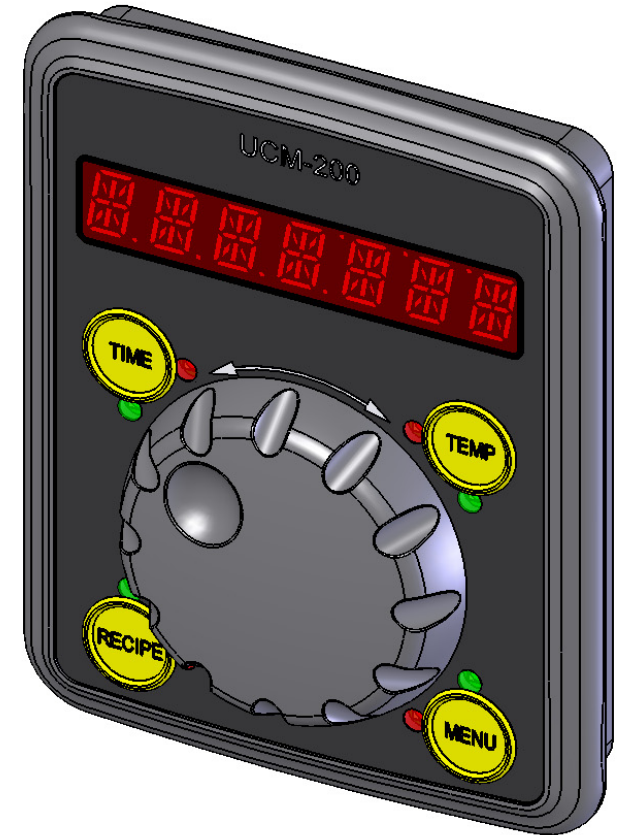
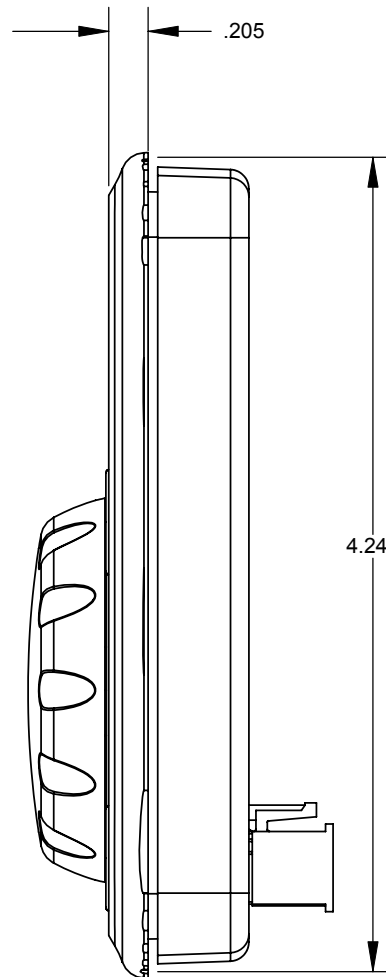
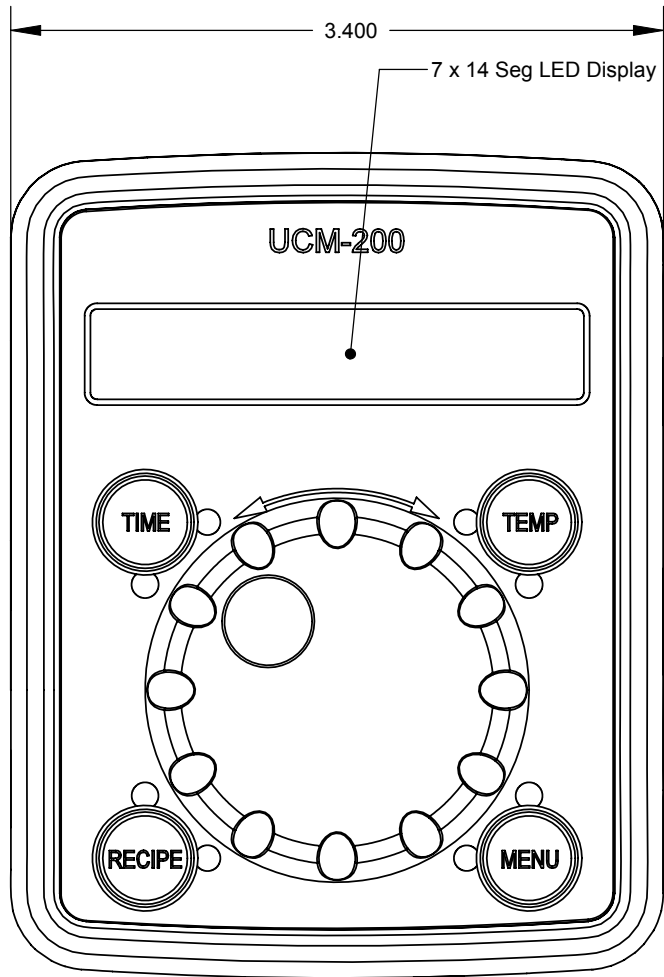


REVISIONS		DATE	APPROVED
ZONE	REV.	DESCRIPTION	
	A	INITIAL RELEASE OF DRAWING	06/02/07 zR



PROPRIETARY AND CONFIDENTIAL
 THE INFORMATION CONTAINED IN THIS DRAWING IS THE SOLE PROPERTY OF RENAU CORPORATION . ANY REPRODUCTION IN PART OR AS A WHOLE WITHOUT THE WRITTEN PERMISSION OF RENAU CORPORATION IS PROHIBITED.

		DIMENSIONS ARE IN INCHES TOLERANCES: FRACTIONAL ± ANGULAR: MACH ± BEND ± TWO PLACE DECIMAL ±.015 THREE PLACE DECIMAL ±.005		NAME	DATE
		MATERIAL --		zR	05/09/07
		FINISH --		CHECKED	
NEXT ASSY	USED ON			ENG APPR.	
APPLICATION		DO NOT SCALE DRAWING		MFG APPR.	
				Q.A.	
				COMMENTS:	

RENAU. ELECTRONIC LABORATORIES

UCM-201
Knob 14 Seg. LED Display

SIZE	DWG. NO.	REV.
A	52E0100	A

SCALE: 1:1 WEIGHT: SHEET 1 OF 1