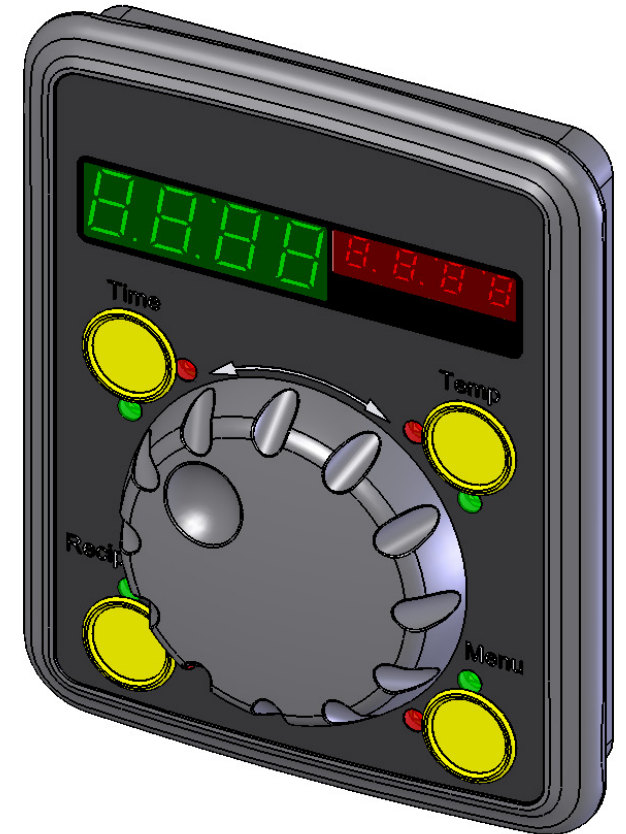
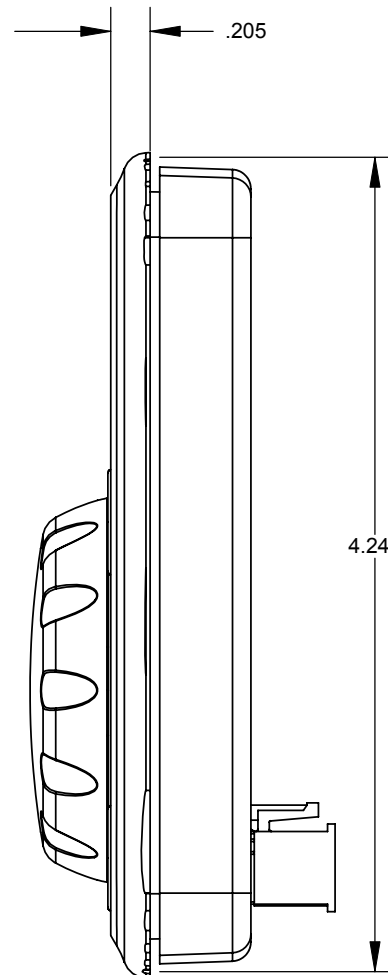
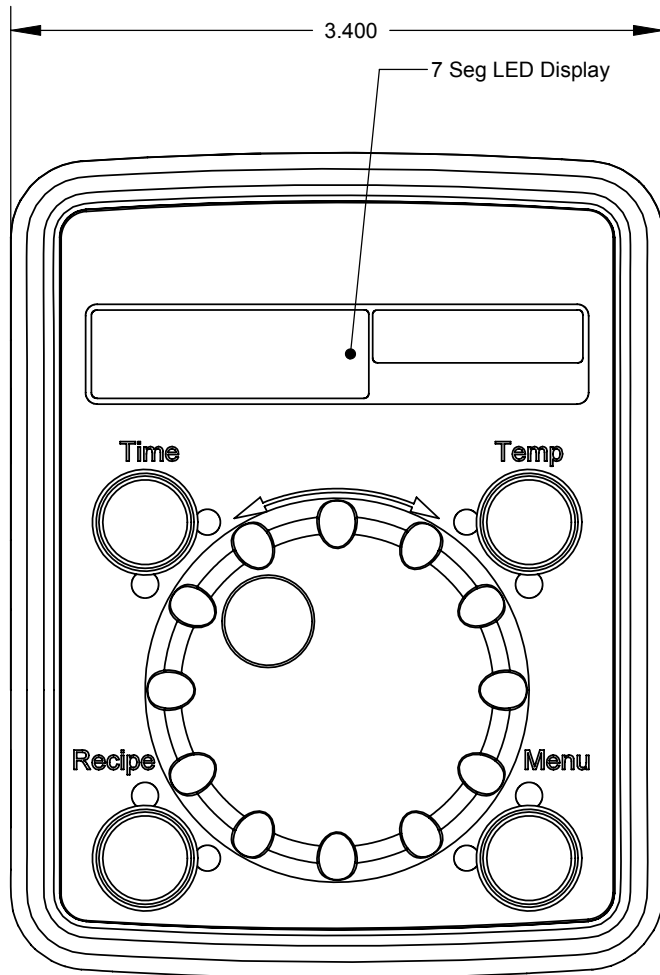


		REVISIONS		
ZONE	REV.	DESCRIPTION	DATE	APPROVED
	A	INITIAL RELEASE OF DRAWING	06/02/07	zR



PROPRIETARY AND CONFIDENTIAL
 THE INFORMATION CONTAINED IN THIS DRAWING IS THE SOLE PROPERTY OF RENAU CORPORATION. ANY REPRODUCTION IN PART OR AS A WHOLE WITHOUT THE WRITTEN PERMISSION OF RENAU CORPORATION IS PROHIBITED.

		DIMENSIONS ARE IN INCHES		NAME	DATE
		TOLERANCES:		zR	05/09/07
		FRACTIONAL ±			
		ANGULAR: MACH ± BEND ±			
		TWO PLACE DECIMAL ±.015			
		THREE PLACE DECIMAL ±.005			
		MATERIAL --			
		FINISH --			
NEXT ASSY	USED ON	COMMENTS:			
APPLICATION		DO NOT SCALE DRAWING			

RENAU. ELECTRONIC LABORATORIES

**UCM-202
 Knob 7 Seg. LED
 Display**

SIZE A	DWG. NO. 52E0200	REV. A
SCALE: 1:1	WEIGHT:	SHEET 1 OF 1