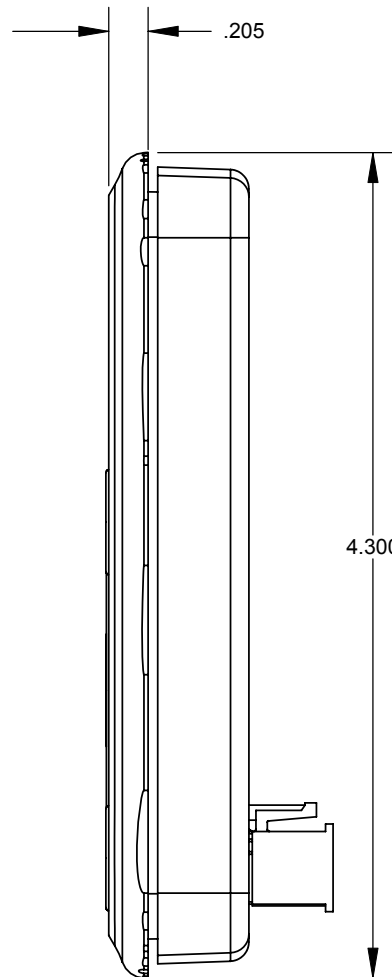
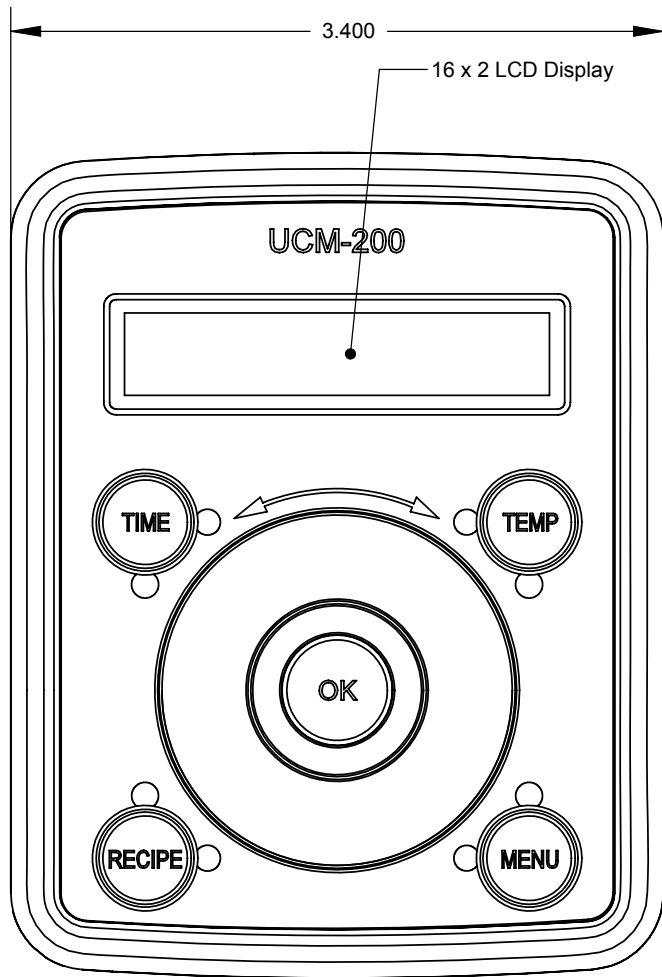


		REVISIONS		
ZONE	REV.	DESCRIPTION	DATE	APPROVED
	A	INITIAL RELEASE OF DRAWING	06/02/07	zR



PROPRIETARY AND CONFIDENTIAL
 THE INFORMATION CONTAINED IN THIS DRAWING IS THE SOLE PROPERTY OF RENAU CORPORATION . ANY REPRODUCTION IN PART OR AS A WHOLE WITHOUT THE WRITTEN PERMISSION OF RENAU CORPORATION IS PROHIBITED.

		DIMENSIONS ARE IN INCHES TOLERANCES: FRACTIONAL ± ANGULAR: MACH ± BEND ± TWO PLACE DECIMAL ±.015 THREE PLACE DECIMAL ±.005		NAME	DATE
		MATERIAL		zR	05/09/07
		FINISH			
NEXT ASSY	USED ON				
APPLICATION		DO NOT SCALE DRAWING		COMMENTS:	

RENAU. ELECTRONIC LABORATORIES

**UCM-210
Ipod 16x2 LCD
Display**

SIZE A	DWG. NO. 52E1000	REV. A
SCALE: 1:1	WEIGHT:	SHEET 1 OF 1